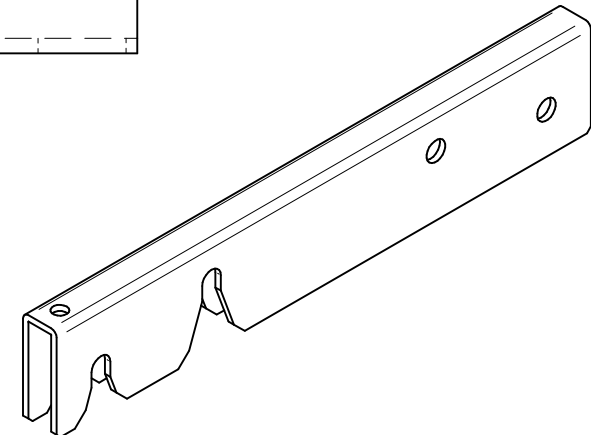
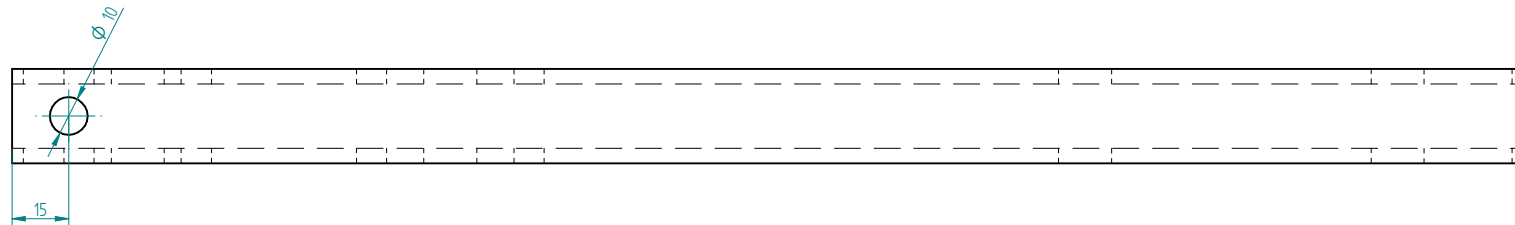
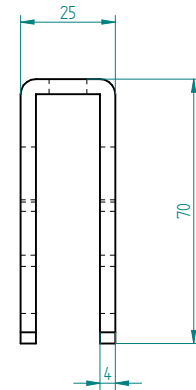
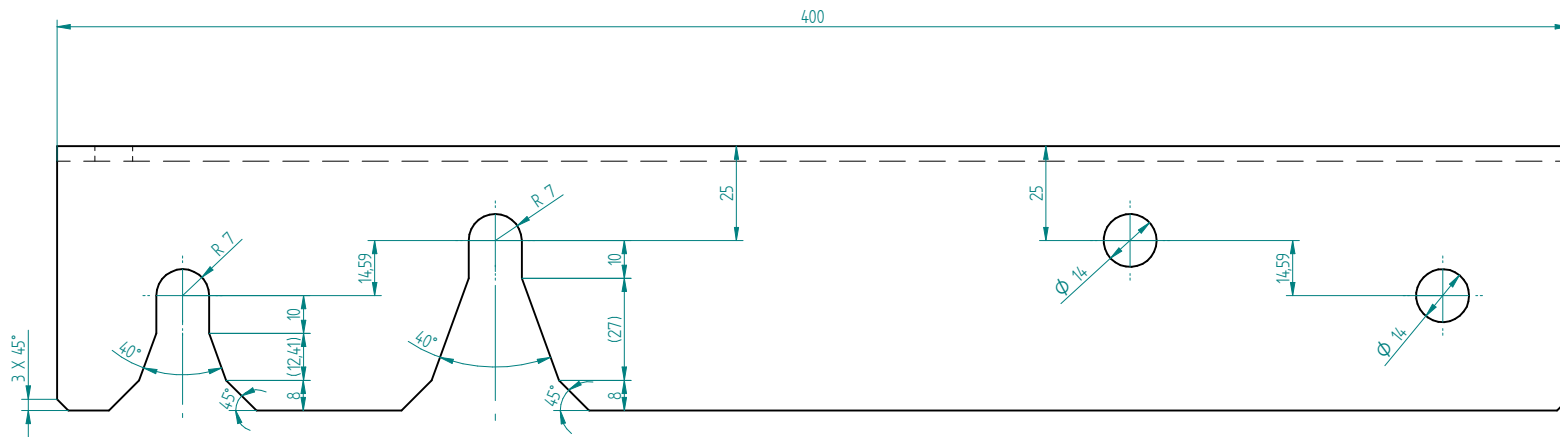


REVISION HISTORY			
REV	DESCRIPTION	DATE	APPROVED



Clamp unten
Stahl S355

9 Stück

	NAME	DATE	Solid Edge	
DRAWN	silvanheggli	06/02/16	TITLE	
CHECKED				
ENG APPR				
MGR APPR				
UNLESS OTHERWISE SPECIFIED DIMENSIONS ARE IN MILLIMETERS ANGLES +XX°			SIZE A2	DWG NO
2 PL *XXX 3 PL *XXXX			FILE NAME: Clamp unten.dft	REV
SCALE:	WEIGHT:	SHEET 1 OF 1		